

LEISTER Heater 3000

Temperature electronically controlled
up to 650° C



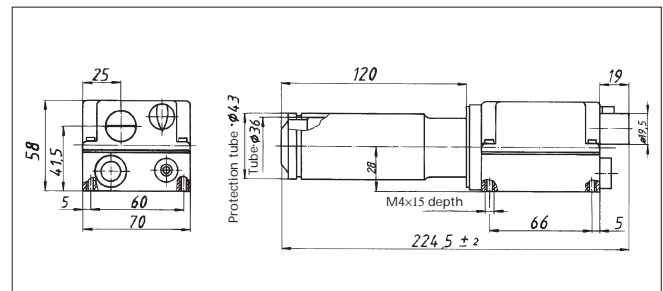
CE

Technical data Heater 3000



Voltage	V~	220-230	120
Frequency	Hz	50/60	50/60
Power consumption	W	3000-3300	2200
Max. temperature	°C	650	650
Min. Air flow	l/min.	300	200
Heater tube stainless steel	mm	ø 36	
Protection tube stainless steel	mm	ø 43	
Air inlet	mm	ø 19.5	
Air outlet	mm	ø 22	
Weight	g	500	
Size (L x W x H)	mm	225 x 70 x 58	
Approval mark			

Installation dimensions in mm



LEISTER Heater 3300

Temperature electronically controlled
up to 600° C



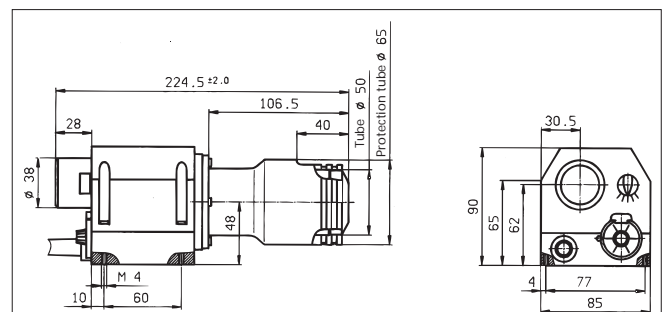
CE

Technical data Heater 3300



Voltage	V~	440	380-400	220-230	120
Frequency	Hz			50/60	
Power consumption	W	4000	4000-4400	3300-3600	2200
Max. temperature	°C	600	600	600	600
Min. Air flow	l/min.	350	350	350	200
Heater tube stainless steel	mm			ø 50	
Protection tube stainless steel	mm			ø 65	
Air inlet	mm			ø 38	
Air outlet	mm			ø 30	
Weight	g			800	
Size (L x W x H)	mm			225 x 90 x 85	
Approval mark					

Installation dimensions in mm



Combination possibilities

LEISTER Heater 3000 with ROBUST blower at max. heating capacity			
Blower Type	Heater 3000	Hot air temperature measured 3 mm in front of the air outlet of the heater with 3 m hose length and blower running at full capacity without nozzle	
	Number × Wattage	Air flow l/min. at 20°C	Temperature in °C controllable
ROBUST	1 × 3300	1 × 400	530
ROBUST	2 × 3300	2 × 320	600

The air flow and temperature details are standard values which can be affected by external influences.

Combination possibilities

LEISTER Heater 3300 with ROBUST, SILENCE, ASO or AIRPACK blowers at max. heating capacity			
Blower Type	Heater 3300	Hot air temperature measured 3 mm in front of the air outlet of the heater with 3 m hose length and blower running at full capacity without nozzle	
	Number × Wattage	Air flow l/min. at 20°C	Temperature in °C controllable
ROBUST	1 × 3600	1 × 720	380
ROBUST	2 × 3600	2 × 450	490
SILENCE	2 × 3600	2 × 380	570
ASO	2 × 3600	2 × 580	530
ASO	4 × 4000	4 × 570	535
ASO	8 × 4000	8 × 560	550
AIRPACK	4 × 3600	4 × 800	350
AIRPACK	8 × 3600	8 × 400	450

The air flow and temperature details are standard values which can be affected by external influences.

Order Number	Illustration not to scale	Accessories	Heater
107.003		Deflecting nozzle 90°C, ø12 mm push-fit	3000
107.250		Flange connector, push-fit on protection tube	3000
107.251		Extension tube 210 × 36.5 mm push-fit	3000
107.261		Wide slot nozzle 70 × 4 mm push-fit	3000
107.308		Sieve reflector 34 × 50 mm push-fit	3000
107.309		Sieve reflector 20 × 35 mm push-fit	3000
107.314		Sieve reflector 25 × 30 mm push-fit	3000
107.299		Air flow off/on switch The air flow is interrupted on command (pneumatic 5 bar) to the heaters. The electronic heater switches off the heat immediately the air flow is stopped. Push-fit on ROBUST blower. Size 214 × 88 × 133	3000 3300
107.254		Flange connection, push-fit	3300
107.255		Extension nozzle 36.5 × 160 mm push-fit	3300
107.256		Angled nozzle ø 50 mm shank length 160 × 100 mm push-fit	3300
107.257		Tubular nozzle, length 600 mm Length of air outlet slot 420 mm push-fit	3300
107.258		Wide slot nozzle 70 × 10 mm push-fit	3300
107.270		Wide slot nozzle 150 × 12 mm push-fit	3300
107.331		Hinged reflector ø 70 mm × B = 70 mm push-fit	3300
107.340		Shell reflector 45 × 250 mm push-fit	3300

Special nozzles available on request

If using non-Leister blowers, compressors and accessories no guarantee can be given by us