



LEISTER Hot-Jet S Hot Air Welding Tool



Please read operating instructions carefully before use and keep for further reference.

APPLICATION

- **Soldering and de-soldering** of SMD thru-hole components.
- **Welding** of thermoplastic materials and also single-ply flexible plastics and modified bitumen in the form of boards, tubes, profiles, lining membranes, coated materials, films, foams, tiles, and sheets. The following procedures are possible: overlap welding, welding with rod, with tape and fusion welding by heat.
- **Shrinking** of heat-shrink sleeves, films, tapes, solder sleeves and moulded parts.
- **Activating/dissolving** of solvent free adhesives and fusion adhesives.
- **Drying** of water-damp surfaces.





WARNING



Danger to life when opening the tool, as live components and connections are exposed. Unplug the tool before opening it.



Incorrect use of hot air blowers can cause **fire and explosion hazard**, especially near combustible materials and explosive gases.



Do not touch the element housing and nozzle when they are hot as they can cause **burns**. Let the tool cool down. Do not point hot air flow in the direction of people or animals.



CAUTION



The **voltage rating** stated on the tool must correspond to the line/mains voltage.



For personal protection on building sites we **strongly recommend** the tool be connected to a **GFCI** (Ground Fault Circuit Interrupter) or a **RCCB** (Residual Current Circuit Breaker).



The tool must be operated **with supervision**. Warmth can reach combustible materials, which are out of sight.



Protect tool from **damp** and **wet**.

APPROVAL MARKS



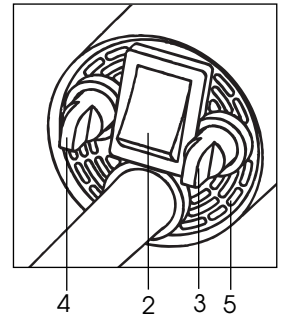
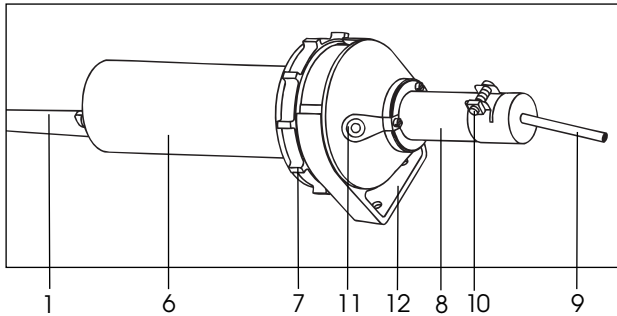
This tool is **CCA** certificated (CENELEC Certification Agreement).

TECHNICAL DATA

Electrical safety: double insulated

Voltage	V~	100, 120, 230, for 50/60 Hz	Mains voltage cannot be switched over
Power consumption	W	460, 460, 460	
Temperature	°C	20 – 600, steplessly controlled	
Air flow	l/min.	20 – 80, steplessly adjustable	
Air pressure	mbar	max. 16	
Noise level	dB (A)	59	
Weight	g	375 without cable, 580 with 3m cable	
Size	mm	235 x 70, handle Ø 40	

Description of tool



- | | |
|---|--|
| 1. Cable to mains | 7. Rubber stand |
| 2. On/off switch | 8. Element housing |
| 3. Potentiometer for temperature adjustment | 9. Nozzle |
| 4. Potentiometer for air flow adjustment | 10. Clamp with screw to push-fit nozzle |
| 5. Air filter | 11. ESD-lead connection |
| 6. Handle | 12. Tool stand (which can be rotated and fixed). |

Operating condition

- As required, push-fit appropriate **nozzle (9)**.
- Connect tool to the mains.
- The air flow is steplessly adjustable by use of the black **potentiometer (4)**.
- The hot air temperature is steplessly adjustable by use of the red **potentiometer (3)**.
- If required, earth the tool via the ESD-lead connection.
- **Switch on (2)** and allow to warm up for about 5 min.

Operation

- The Leister Company, as well as the Service Centres, offer free training courses in all areas of application (see page 1).

Change of nozzles

- Before changing nozzles, allow the tool to cool down, or use only combination pliers.
- Do not touch hot **nozzle (9)** and make sure to put it only on a heat resistant surface, because of the **fire hazard**.
- The nozzles are easily pushed onto the tapered **element housing (8)** and are then secured by fastening the **screw on the clamp (10)**.
- Only Leister nozzles should be used.

MAINTENANCE

- The welding tool's **airfilter (5)** should be cleaned with a brush if necessary.
- A wire brush should be used for cleaning the **welding nozzle (9)**.

ACCESSORIES

- Use only LEISTER accessories.

SERVICE AND REPAIRS

- The carbon brushes of the motor have to be checked by your Service Centre after about 700 hours running time.
- Repairs should only be carried out by authorised **LEISTER Service Centres**. They guarantee a specialised and reliable **Repair Service within 24 hours** using original spare parts lists.

GUARANTEE AND LIABILITY

- Guarantee and liability are in accordance with the guarantee certificate as well as with the currently valid general business and sales conditions.
- LEISTER Process Technologies rejects any guarantee claims for tools which are not in their original condition. The tools must never be altered or changed.

Technical data and specifications are subject to change without prior notice.

Your authorised Service Centre is: